



Volvo Trucks. Driving Progress

VOLVO FL

PRODUCT GUIDE



Early mornings, late at night. Or in the middle of a busy work-day.



City distribution is always a challenge. Crowded streets, narrow alleys and many stops. With the Volvo FL you will always be in control as well as benefit from the best commercial advantage available. Developed and adapted specifically for the inner city environment, with uptime, productivity, safety, visibility and manoeuvrability at its core, the Volvo FL truck will provide you with the upper hand. And with Volvo as your business partner, with the wide range of reliable services, you can enjoy a tailor-made transport solution perfectly fitted for your needs. Light, nimble, reliable, efficient, easy. In short – **The Volvo FL.**

Here's why:

1 Easy to own, easy to drive.

The Volvo FL is hassle-free ownership where you decide how much you want to get involved. If you want to, you'll only do the actual driving – our services and support will take care of the rest.

2 Comfort.

Long days in the cab. In and out, while making deliveries. Therefore comfort and ergonomics are of utmost importance. For you as a driver, as well as for us.

3 Safety.

At the core of every Volvo product is our paramount work with safety. In a Volvo FL, you'll always be surrounded by the latest and the very best in safety thinking.

4 Power and engineering.

Whether you choose a 4- or 6-cylinder engine, the Volvo FL will provide ample power and performance. And electrical systems, transmission and technology to match.

5 Peace of mind.

How do the service intervals look? Where can I get advice on lowering my fuel consumption? Can I lease my truck? For the Volvo FL owner, the possibilities are endless when it comes to finding a tailor-made solution that fits your specific needs.

6 Care for the environment.

Volvo's work with sustainability and alternative drivelines is at the forefront of the truck industry. And this goes for our work with fuel saving as well. Because every drop counts.

7 Volvo FL with 4x4 drive.

Now you can choose Volvo FL with four-wheel drive. Agile and easy to drive like the 4x2 version, but with better traction and more ground clearance. Read more on [page 14](#).

8 10 tonnes Volvo FL.

When you're looking for a small, handy truck for urban city distribution there's the 10 tonnes Volvo FL. See the model combinations on [page 32](#).

9 Alternative fuels.

Now you can choose an engine that can run on fossil free fuel, so called "biodiesel". The options are:
– HVO EN15940 (Hydrogenated Vegetable Oils) on all engines.
– RME (Rapeseed oil Methyl Esters) for 240 hp only.
Both options reduce the emissions of greenhouse gases dramatically. Read more on [page 9](#).

Wherever, whenever.

Where it needs to go, exactly when it needs to be there. Delivering parcels, post or consumer products to stores in narrow alleys can be a hazardous and tricky business. The Volvo FL 4-cylinder 12-tonner is perfectly adapted for crowded inner-city surroundings. With the easiest possible entry or exit from your cab and with the powerful engine and lightweight front and rear axles you'll be able to enjoy ample power and performance for the heavier loads, never compromising with the truck's flexibility.



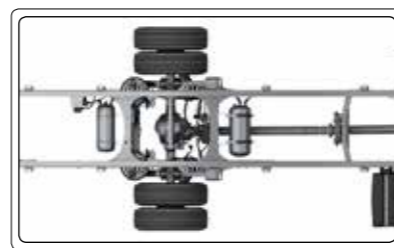
Easy access.

17.5" wheels and a non-slip, non-skid surface will make exits and entries as easy a process as possible.



I-Sync simplicity.

Automated transmission for peace of mind. Focus on traffic and steering and rely on the I-Sync to change the gears.



Muscular rear axles.

The lightweight rear axles of Volvo FL offers options from 7.6 tonnes up to full 11.5 tonnes. And the air suspension will account for a smooth operation. Explore all the model combinations on **page 32**.



DON'T FRET, DON'T WORRY

Easy to own, easy to drive.

Owning and driving a Volvo FL will always be whatever you want it to be. It's a well proven and reliable truck. But above all – it's simple. And easy. No advanced classes in engine technology are necessary. No extra studies of insurance law are required. You drive and deliver – we take care of the rest, making every part of your ownership and workday as simple as possible.



Seeing is believing. And performing.

In a Volvo FL, you'll always have a good feel for your surroundings. The placement and size of the mirrors together with the sightline through the front windshield will provide you with the best possible visibility. Add to that the auxiliary windows and you're left with the best possible conditions for managing the inner-city hustle.



Reinforced bumpers.

The front three-piece bumper has been equipped with steel corners with good impact resistance to reduce the costs for any small accident repairs. The Volvo FL 4x4 has an extra sturdy bumper for demanding conditions in rough terrain.



Perfect control, with a single glance.

The instrument cluster and the dashboard of the Volvo FL have been constructed and laid out to be as intuitive as possible. The instruments have been placed to provide the best ergonomics possible, while the dashboard's gauges are placed to give you a perfect overview of operations at a single glance.



As much or as little as you want.

By using Volvo services such as Fuel Advice or a Volvo Premium Lease, you'll get all the assistance you need for your truck operation. We make it possible for you to concentrate on the most important part of your business: delivering.



Managing every turn.

Small but sturdy. Flexible but powerful. And specially developed for the tight spaces of the urban environment. Every part of the Volvo FL has been designed and adapted to provide you with the very best in manoeuvrability. Quick-response instruments and gears and smooth acceleration will help you through the tightest of spaces.



Tailor-made. For your needs and nobody else's.

Whatever you want, the Volvo FL delivers. By specifying your particular needs, the truck can be pre-adapted to fit, straight from the factory. Special applications or superstructures can be added – all to make your business operation hassle-free straight away from day one.



Safe and secure – when you're not there.

Naturally your Volvo FL can be equipped with a comprehensive, remote-controlled alarm system that will deter thieves and prevent theft. The alarm is easily activated and is triggered should anyone try to open the doors, tip the cab or tamper with the battery.



One system – set to go.

The Volvo FL is equipped with a modern, thoroughly comprehensive electrical system that regulates and controls every function and application of the truck. Optional additions and applications can always be specified and added to the mix. And, of course, all features are easily controlled from the driver's seat.

A Volvo truck with a Volvo engine.

A match made in heaven.

Four or six cylinders. 5 or 8 litres. The Volvo FL range will never be found wanting. Plenty of torque, quick response and a power output of 210–280 hp. Performance adapted to your particular needs, ideal for inner-city distribution, for maximum productivity and profitability. Every time, every working day.

POWER

Whether you drive a Volvo FL with a D5K or a D8K, you'll always have plenty of engine power. And with unparalleled rapid response, the engine's power output is optimally suited for any transport assignment. See tables on **page 33**.

FOUR OR SIX CYLINDERS

The Volvo D5K engine is a four-cylinder, 5-litre engine with a power output of either 210 or 240 hp. Ideal for smaller trucks, like the Volvo FL 12-tonner, the D5K is one of the most powerful four-cylinder engines on the market. For the heavier Volvo FL trucks like the 18-tonner, the six-cylinder, 8-litre Volvo D8K engine, with its powerful output of 250 or 280 hp, is a perfect match.

TORQUE

Both engines will secure wide, flat torque output and lightning-quick response, even at low rpms. For the D5K engine, the maximum torque is 800–900 Nm, while the D8K has a maximum range of 950–1,050 Nm. See tables on **page 33**.

AFTER-TREATMENT

Volvo Trucks' after-treatment solution makes sure the driveability is maintained, while optimising exhaust-gas temperature and NO_x levels for efficient after-treatment. In addition to the SCR catalyst, the after-treatment system has been equipped with a diesel oxidation catalyst, a diesel particulate filter and auxiliary heat injection – all contained within the same muffler. The result is an engine with excellent power and performance that complies with the regulations, taking good care of our environment and our future.

CLOSED CRANKCASE VENTILATION

With the closed crankcase ventilation system, you'll be able to avoid oil loss, loss that might contaminate areas where oil spillage is forbidden. This is something especially important for foodstuff distribution or other segments where environmental demands are particularly strict.

EURO 6

Lowering NO_x emissions by almost 80% and reducing particulates by half is a tough challenge. Especially if you don't want to compromise on engine performance. But we have succeeded. Our range of Euro 6 engines still offers the same driveability and reliability as our widely appreciated Euro 5 engines did.

READY FOR ALTERNATIVE FUELS

All power levels for D5K and D8K engines are certified for syntetic diesel (Hydrogenated vegetable oils – HVO). There is a variant of our D5K 240 engine that will run on pure biodiesel (Rapeseed Oil Methyl Esters – RME B100) – certified for Euro 6. It's the perfect option if you want to help the environment, and enjoy the incentives available in your market.

VARIABLE GEOMETRY TURBO

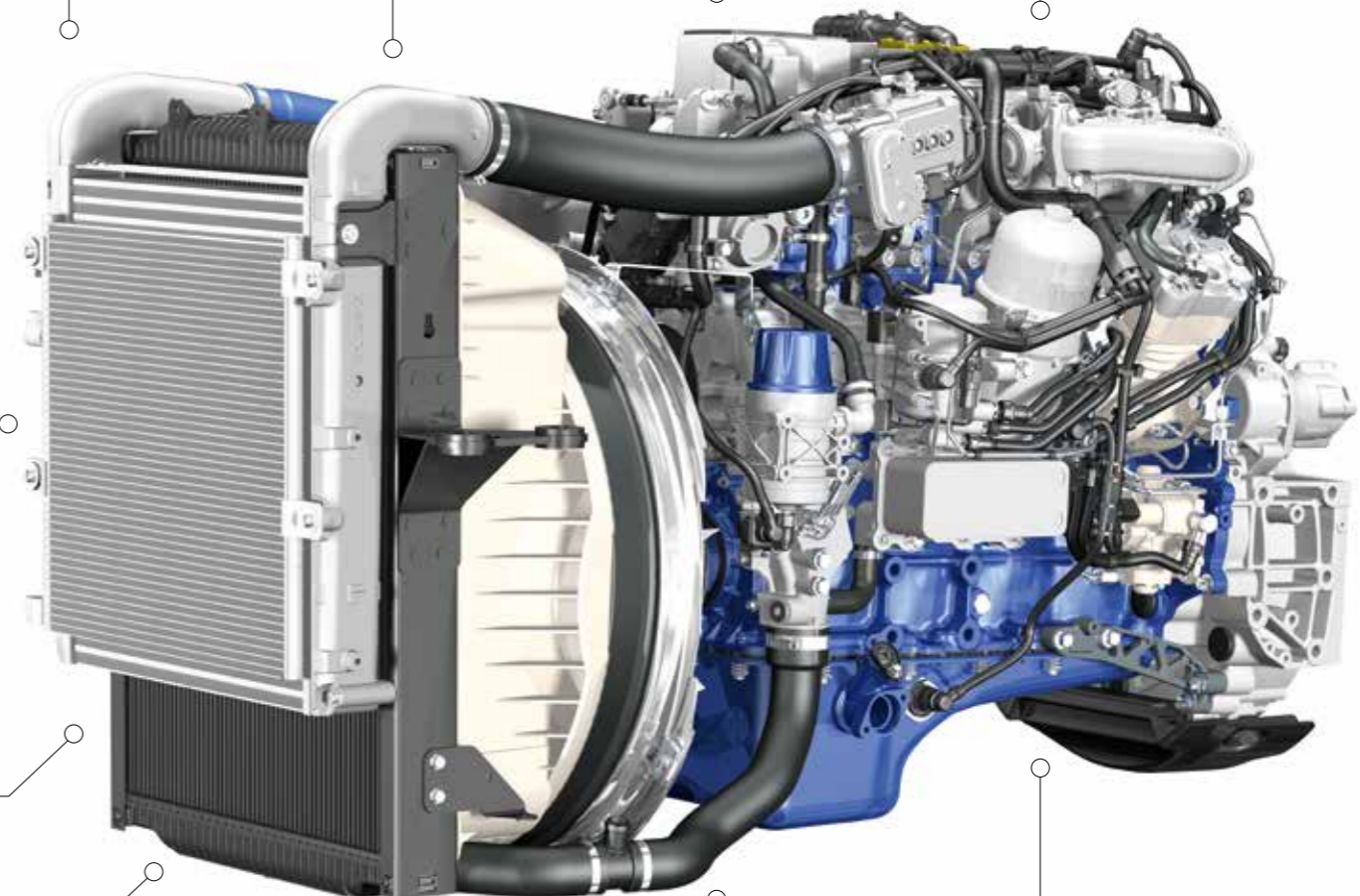
Variable geometry turbo allows the effective aspect ratio of the engine's turbo to be altered, depending on conditions, giving improved performance at low speed and low rpm.

ENGINE BRAKE AND EXHAUST BRAKE

The engine brake saves the wheel brakes and extends the lifetime of both the brake pads and the brake discs. In the Volvo FL, there are two powerful engine-braking systems to choose between – exhaust brake on its own or exhaust brake in combination with compression brake.

PREPARED FOR FRIGOBLOCK INSTALLATION

The D8K can be factory fitted with a preparation kit for frigoblock cooling system. It reduces the lead times for bodybuilding.



ADBLUE

To lower exhaust emissions, AdBlue solution is added. The AdBlue is added to the engine from a separate tank and amounts to 5–6% of the diesel consumption.

NO CHANGE IN SERVICE INTERVALS

Euro 6 demands a lot, both from engines and service personnel. However the strict exhaust and emission requirements won't lead to any changes in service intervals for Volvo FL owners. The maintenance requirements are not affected.

POWER TAKE-OFF

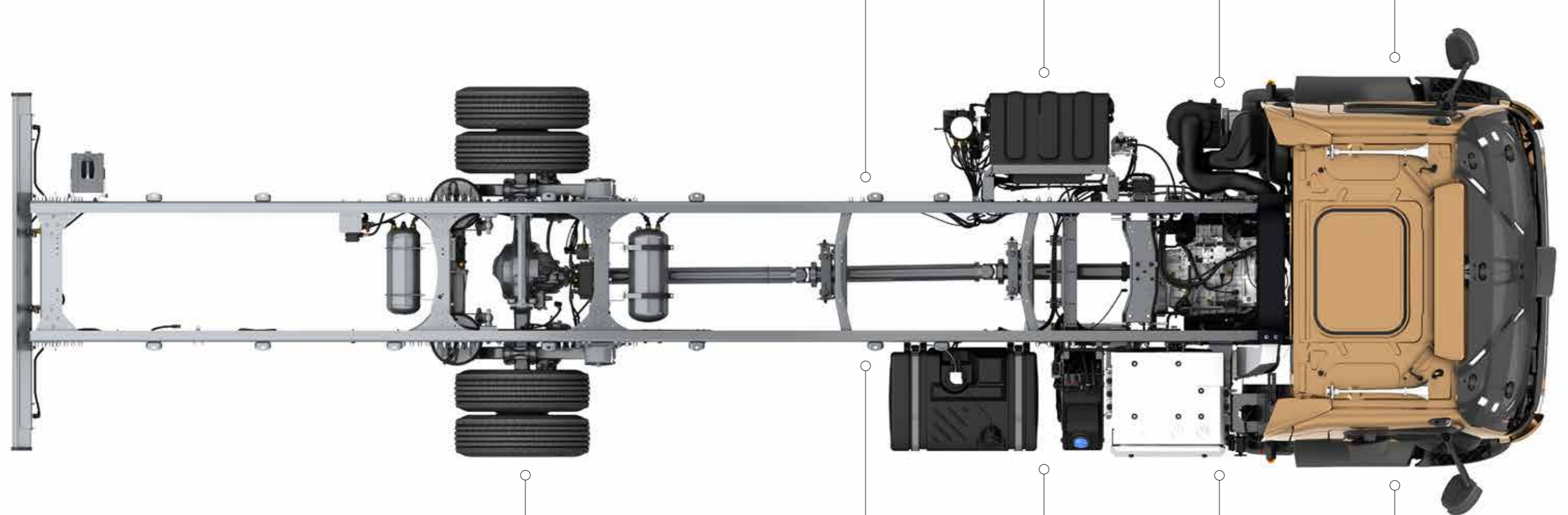
Both for the D5K and D8K engines, an optional 600 Nm PTO can be added to provide power to auxiliary applications or the vehicle's own load-handling equipment.

ENGINE IDLE SHUTDOWN

When the engine is left on idling for a defined period of time, the engine switches off to save fuel and reduce emissions. Good for your bottom line and the environment.

Perfectly fitted.

For a life in the urban environment.



WHEELBASES

Depending on the wheel size and the weight of the truck, the wheelbase of the Volvo FL range can be anywhere between 3,250 and 6,800 mm.

SIDE UNDERRUN PROTECTION

The reinforced, foldable Side Underrun Protection (SUP) comes as a factory fitted option. Designed by Volvo, it combines secure protection and easy serviceability.

IMPROVED BODYBUILDER BRACKETS

To further facilitate the work of the bodybuilder, the chassis can be fitted with an assortment of bodybuilder brackets in the frame. The combinations can be specified further to fit additional requirements.

WHEEL SIZES

There are three different wheel sizes for the Volvo FL range. For the small 10- and 12-tonner with four cylinders the wheels are 17.5", while there's a choice between 19.5" and 22.5" for the heavier trucks with the six cylinder engines.

CHOICE OF SUSPENSION

Depending on the axle load, there are different choices of suspension to both front and rear axles: air or leaf suspension or a combination of the two. The air suspension levelling can be controlled via the Electronically Controlled Suspension (ECS) via switches on the dashboard or a control box, to find the right level for the loading platform. Simple to drive, easy to load.

TAILOR-MADE, PREPARED OR STANDARD

The Volvo FL chassis can be ordered with a standard layout. But if you really want to make it easy for the body-builder you can order it with the preparation kit or even completely adapted to fit your specific needs. Thanks to the Volvo Bodybuilder Instructions (VBI system), the lead-times for the bodybuilder are shortened and you'll get your perfect truck, with the perfect superstructure, adapted to your specific business operations, in the shortest time possible.

FRONT AXLES

A range of four different, maintenance-free front axles are available depending on the load requirements. For trucks with the D5K engine, the max load is 5.0 tonnes while trucks equipped with the D8K engine have load capacities between 4.5 and 7.1 tonnes. The choice of suspension is decided on the offset of the axle.

REAR AXLES

All three rear axles for the Volvo FL range are maintenance-free and the choice depends on the truck's weight. The load capacity for the rear axles is 8.5 to 11.5 tonnes. For the 4-cylinder Volvo FL the towing capacity is 19 tonnes while the 6-cylinder trucks offer single reduction axles with a towing capacity of 25 or 36 tonnes.

FUEL TANKS

Plastic, steel or aluminium fuel tanks with capacities ranging between 80 and 430 litres can be specified depending of the truck variant and special requirements.

ADBLUE TANK

The 32-litre plastic AdBlue tank is fitted with an integrated pump unit and is placed on the chassis' right-hand side. If needed, it can be mounted on the left to accommodate special applications, and it is then combined with a left-hand side fuel tank.

The Volvo FL boasts a chassis layout that can be fitted and adapted for every conceivable need or task when it comes to assignments in the urban environment. The chassis is sturdy and durable but still light, allowing the heavy loads, flexible enough to allow for customisation. Right – from the ground up.

Perfectly prepared for a clean sweep.

Volvo FL is the perfect solution for a sweeper truck in narrow urban environment. Easy to manoeuvre and easy to enter. It's even easy to order. Just choose the factory preparation for sweeper applications and the time at the bodybuilder will be much shortened.



Volvo FL Sweeper.

The Volvo FL chassis can be factory-prepared for sweeper applications. The air tanks, fuel tanks, AdBlue tank, battery box and exhaust system are then moved out of the way to make room for frame-mounted equipment. Two versions are available, equipped with the Day cab. Choose between 12 tonnes and 16 tonnes and three wheelbases.

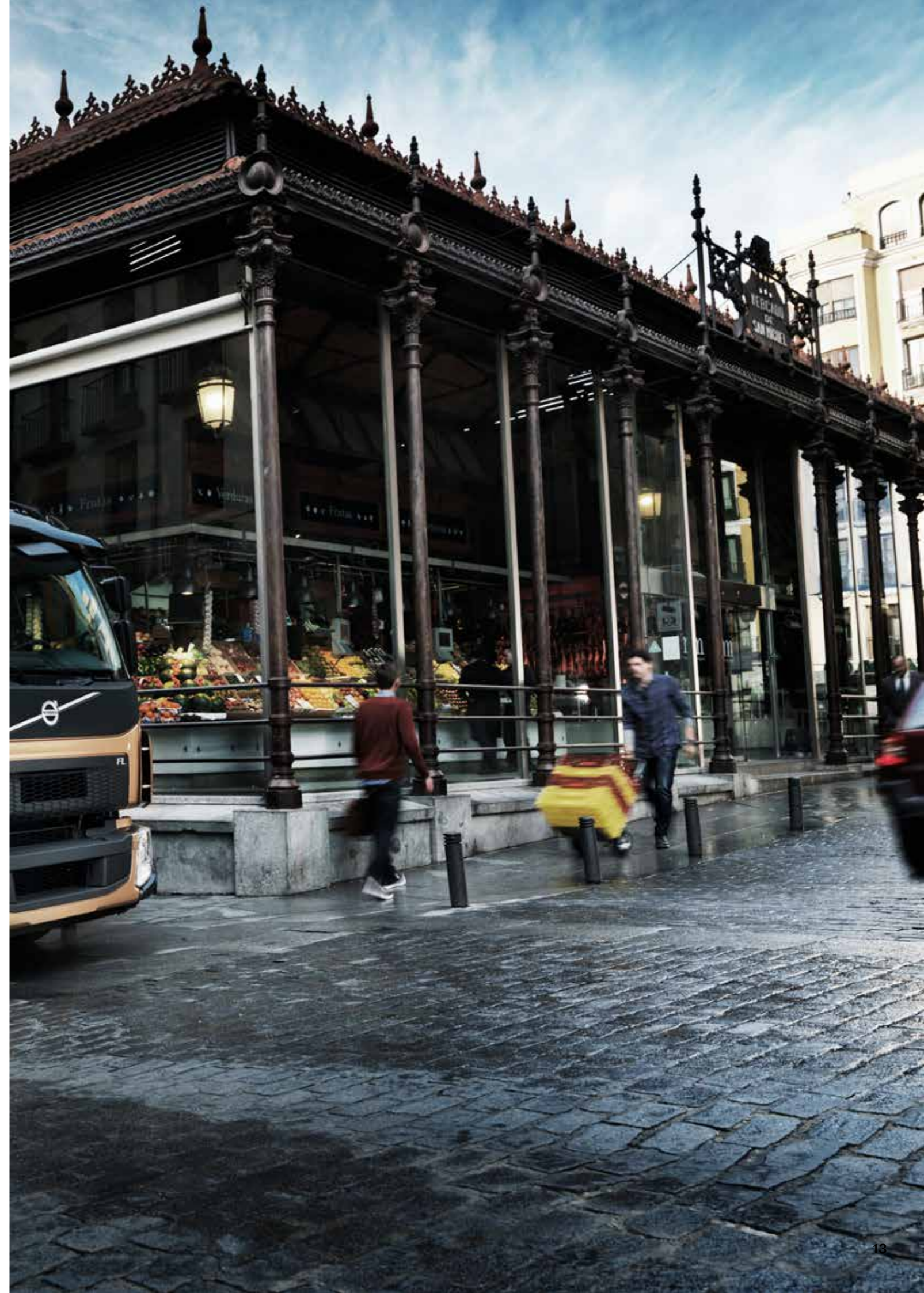
The package involves all parts of the truck's specification and will make the truck perfectly and safely adapted for its purpose.

12-tonne version.

This version has the low chassis with 4.2-tonne front axle and 8.0-tonne rear axle. It's equipped with the 5-litre engine delivering either 210 or 240 hp. The six-speed manual gearbox is adapted to the engine's level of torque.

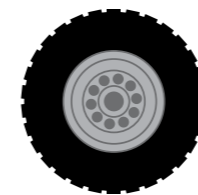
16-tonne version.

More payloads require the medium chassis and a 5.8-tonne front axle and a 10.9-tonne rear axle. This version has the 6-cylinder, 8-litre engine delivering 250 hp. The gearbox options are a six-speed or a nine-speed manual gearbox.



Does the job – on any path, and in all conditions.

The Volvo FL is now available with four-wheel drive. It's just as agile and easy to drive as the 4x2 version. But with better traction and more ground clearance, you can drive it on any road and in all conditions. Making it ideal for a wide range of applications.



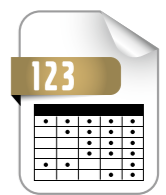
More traction.

Pitted gravel roads? Snow-covered streets? Off-road terrain? The Volvo FL 4x4 provides all the traction you need. The driven front axle and the new rear axle both have hub reduction. So even when it gets really tough, you just push a button to activate the low gear on the distribution gearbox.



More clearance.

With its XX-High chassis, the Volvo FL 4x4 gives you superior ground clearance, so you're less likely to get stuck or damage the truck when you drive over rough terrain. There's approx. 330 mm of ground clearance at the front. And 320 mm at the rear. That's an increase of 60 and 100 mm respectively on the standard Volvo FL. The superior ground clearance also gives you a 25-degree approach angle – which really helps on steep inclines or when negotiating obstacles. And the sturdy front can take the knocks if needed.



Adapted to your needs.

All cab sizes are available, even the crew cab. You can also choose the fully automatic transmission with off-road mode. Or single-mounted terrain tyres. There are a lot of options to make Volvo FL 4x4 to your perfect tool.

WASTE & RECYCLING



The clean way to get things clean.

The Volvo FL is developed down to the smallest detail to be an efficient and reliable partner in any work assignment. Like collecting refuse, for example. With multiple stops and entries and exits a day, an easy instep is a must. As is the need for a comfortable cab. And not to forget, if you're in charge of taking out the trash, you better not add to the pollution with excessive exhausts and emissions. The Volvo FL's compliance with the Euro 6 emissions legislation, and the extensive filtering technology, make sure you'll always be more a part of the solution than a part of the problem.



Room to breathe.

Do you work alone? Or do you work in pairs? Do you need room for extra equipment? The size of the cab can be the difference between claustrophobia and a good day at work. Learn more about cab size options on [page 32](#).



A comfortable workday.

Working with refuse collections means many exits and entries a day. But also many hours in the seat. The Volvo FL provides both comfort and accessibility. Learn more about interior comfort on [page 18](#).



I've got the power.

Compactor or hook-lift? Adding an extra power take-off, either from the engine or the transmission, will provide you with the solution.

Prepared for waste and recycling.

The Volvo FL can be ordered from factory prepared for a refuse bodywork. The package involves all parts of the truck's specification – like a bodybuilder module; software and parameters adapted to refuse transport; rear frame length cut to the right dimension; and reinforced rear suspension. This will make the truck perfectly adapted for its purpose. And considerably shorten the lead time at the bodybuilder.



COMFORT

Take an easier step into a comfortable day at work.

Exiting and entering your truck can be a strenuous business. Therefore, the Volvo FL has been equipped with a two-stair instep that'll facilitate your workday as much as possible. With easily accessible handholds, slip-free-coated surface and optional stairwell lighting the inconvenience of multiple entries and exits will soon be forgotten.



Spacious cab.

The Volvo FL range offers you a choice of three sizes: the day cab, the comfort cab or the crew cab – all depending on your need for loading space or number of passengers. The width is 2,100 mm while the length varies from 1,600 to 2,980 mm.



Ergonomic seats.

The seats are all developed for long days behind the wheel. The driver seat as well as the passenger seat are ergonomic and can be tilted and adjusted to suit your needs. Both seats are covered in dirt-resistant woven textile and can feature integrated seatbelts in red as well as in the standard black.



Low interior noise.

In order to have a comfortable, pleasant in-cab experience, the sound isolation levels of the Volvo FL cab have been developed to decrease the sound of the engine, tyres and external noise as much as possible. Sparing your ears, allowing you to relax and concentrate on the driving.



Adjustable steering wheel.

Regardless if you choose the 460 mm or 500 mm steering wheel diameter, the steering wheel is pneumatically adjustable to your preferred, most comfortable position.



Ample storage space.

Compartments in the doors and in the dashboard. Overhead storage, tunnel storage box between the seats. And the option to add even more storage units in the cab. In the Volvo FL you'll never lack compartments for storing away the essentials, or the non-essentials for that matter.



Cab suspension.

The front suspension of the cab consists of rubber cushions, while the rear is suspended by a combination of coil springs and shock absorbers. This minimises the vertical movements and provides a smooth ride.



Audio options.

Choose between several audio packages. They can include RDS radio, USB connection, Bluetooth for streaming music and connection dual phones and hands-free as well as DAB preparation.



All details matter.

When spending entire workdays in your Volvo FL cab, it's important that strenuous movements are minimised and that everything is easy to reach. The instruments and controls are intuitively placed and the most often used are all close to the steering wheel.



Air-conditioning.

Warm summer days or cold winter afternoons... Naturally the Volvo FL is equipped with a pleasant in-cab climate allowing you to do a good job. The standard heating system can be supplemented with a parking heater so the truck is always warm and cosy. If you specify air-conditioning you not only get pleasantly cool air, it is also dehumidified.



Dashboard layout.

The dashboard and cluster layout is intuitive and give you information about the truck's vital stats in the blink of an eye. You'll always have perfect control over fuel and AdBlue levels, speed, rpm and oil pressure.

CAB EXTERIOR

We took something good and made it better.



The Volvo FL is the smallest member of the Volvo trucks family, a natural part of a premium range of trucks. An elegant truck with truly modern looks, that still manages to be simple and easy to use and drive. It's not vanity – it's the truth. It's a beautiful truck that handles beautifully. Expertly adapted for the task at hand. Its cheeky personality will radiate confidence and efficiency and be perceived as a natural part, yet stand out, in any urban environment. Reliable, productive, profitable and safe. In other words – a Volvo FL.



Aerodynamics.

The exterior of the Volvo FL cab has an aerodynamic design and is gently rounded in order to lower the air resistance. Apart from saving fuel it also increases the general drivability.



Air deflectors.

The air deflectors also help decrease resistance and with additional wind deflector panels you'll be able to decrease fuel consumption even further.



V-lights.

The Volvo FL's headlamp, with the characteristic V-shaped LEDs that fulfil EU regulations for daytime running lights, improve visibility and are easily dismantled. The LED lights are dimmed when parking or low beam lights are activated.



Front grille.

The front grille with its honeycomb mesh pattern increases air-flow which facilitates engine cooling and the aftertreatment process.



Optional roof hatch.

A roof hatch, either in glass or metal, controlled manually or electrically, is available for your Volvo FL.

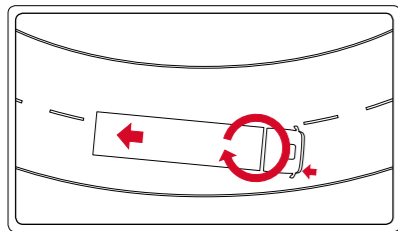


ACTIVE SAFETY

Of course it's safe. It's a Volvo.

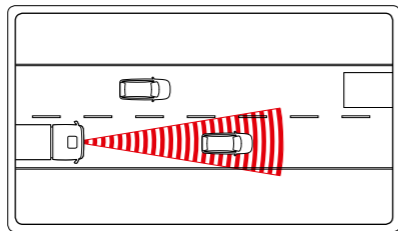
Our vision is that no Volvo truck is to be involved in a traffic accident. That's why we continuously develop products and systems that prevent accidents from happening in the first place. Zero accidents is an ambitious objective. And we work hard to reach it.

The main objective is to develop features that support the driver at the steering wheel, making driving easier and therefore safer. Here are some of the features contributing to safe driving.



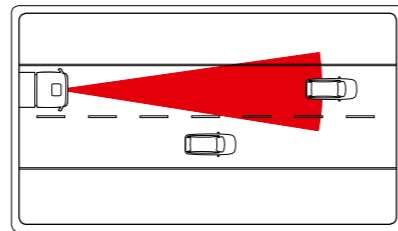
Electronic Stability Control.

The Volvo FL comes with ESC, Electronic Stability Control, as standard. This feature improves safety and direction stability in difficult driving conditions and helps avoid rollover situations.



Adaptive Cruise Control, collision warning and emergency brake.

Follow the traffic rhythm without effort. The radar-based Adaptive Cruise Control (ACC) keeps a safe distance to the vehicle in front by controlling the accelerator and all available brakes. If there's a risk of collision, warning lights are projected on the windscreen – and if an impact is imminent, the automatic emergency brake quickly comes to your assistance.



Lane Keeping Support.

Drifting off lane is a common cause of serious accidents. Too common, we think. Lane Keeping Support tracks the road markings with a camera, and alerts you if you should unintentionally cross them.



Look forward.

The crowded inner-city streets demand a driver in control of the surroundings. A big, tinted windscreen that ends just above the instrument panel gives a wide forward view both to the sides and close to the front of the cab. Big and efficient windscreen wipers keep the window clean in bad weather. Excellent visibility is essential for safe driving.



Look all around.

By specifying the optional side-view window on the passenger side, lowered windows in the doors and a rear window you'll get even better control and command of your cargo as well as your immediate surroundings.

Look back.

The heated wide angle mirrors give you a clear view of what's behind or beside your truck. The front view mirror helps you detect obstacles in front of your truck. Option is electrically operated side view mirrors. Looking back is all about safety.



PASSIVE SAFETY

Developed to protect you.

Safety is one of Volvo's core values and our work with the safety of a Volvo driver is an integral part of everything we do. So naturally the Volvo FL benefits from all the experience and the technical innovations that we've amassed over the years. Here are some of the Volvo FL features that will contribute to safety and protection in case of a traffic incident.



Integrated seatbelts.

The seatbelts have been integrated in the comfort and standard seats and have an excellent impact resistance. The seatbelts are also available in red, thus making it easy for passers-by to confirm their use.



Anchored seats.

The seats in the Volvo FL cab are safely anchored to the floor and the anchoring has been reinforced to provide optimum safety.



Extra equipment.

You can always specify any extra safety equipment you want in your cab. Warning vests, fire extinguishers and first aid kits are all available.



Side Underrun Protection System.

The Volvo designed Side Underrun Protection (SUP) prevents smaller vehicles from becoming wedged under the truck in the event of a collision. It can be factory fitted and offers secure protection. Since it's both foldable and easily removed, it has no negative effects on serviceability.



Front and Rear Underrun Protection Systems.

Other road users are protected by the Front Underrun Protection (FUP), as well as by the Rear Underrun Protection (RUP). They prevent smaller vehicles from becoming wedged under the truck in the event of a collision. The underrun protections can be specified from factory.

Reinforced cab.

The entire cab has been reinforced in order to provide a strong safety space should an accident happen. The doors, the rear wall, the roof and the floor, every part of the cab has been reinforced. This makes the cab safer when it comes to cargo shifting, collision or even fire. And of course the cab has passed all Volvo's collision and crash tests which are significantly harder than the law requires.



Working 9 to 5. And then some.

Providing a city with logistical support and service is essential. Removing obstacles, clearing paths – or just creating or building calm, green spots for relaxation and rest. A Volvo FL with a platform body, fitted with a small hooklift is a perfect match for any municipality work imaginable. With its powerful engine and excellent manoeuvrability it'll be able to get you where you need to go. And with optimised combustion and minimised emissions, it'll play its part in making the urban environment something to long for.



Tailored for public service.

Factory prepared for a sweeper and waste recycling superstructure. Alternative fuel engines as options. There's a lot of options that sets Volvo FL as a perfect truck for public services.



More traction.

Pitted gravel roads? Snow-covered streets? Off-road terrain? The Volvo FL 4x4 provides all the traction you need. The driven front axle and the new rear axle both have hub reduction. So even when it gets really tough, you just push a button to activate the low gear on the distribution gearbox. Learn more on [page 14](#).



More staff.

When there are more than one, two or three persons needed at the site there's the crew cab. This cab has ample space for up to 7 persons, including the driver. A perfect solution for park management or fire departments among others.



Do the driving, we do the rest.

How you decide to operate your business is your decision. All we can do is provide you with every option conceivable. Like a Volvo Premium Lease for example. You drive – we take care of the rest. Learn more about leasing options on [page 31](#).



Part of the family.

Easily recognisable as a Volvo, with a trustworthy logo, part of a quality range of trucks for professionals. The Volvo FL inspires trust and radiates reliability. Learn more about cab exterior on [page 20](#).



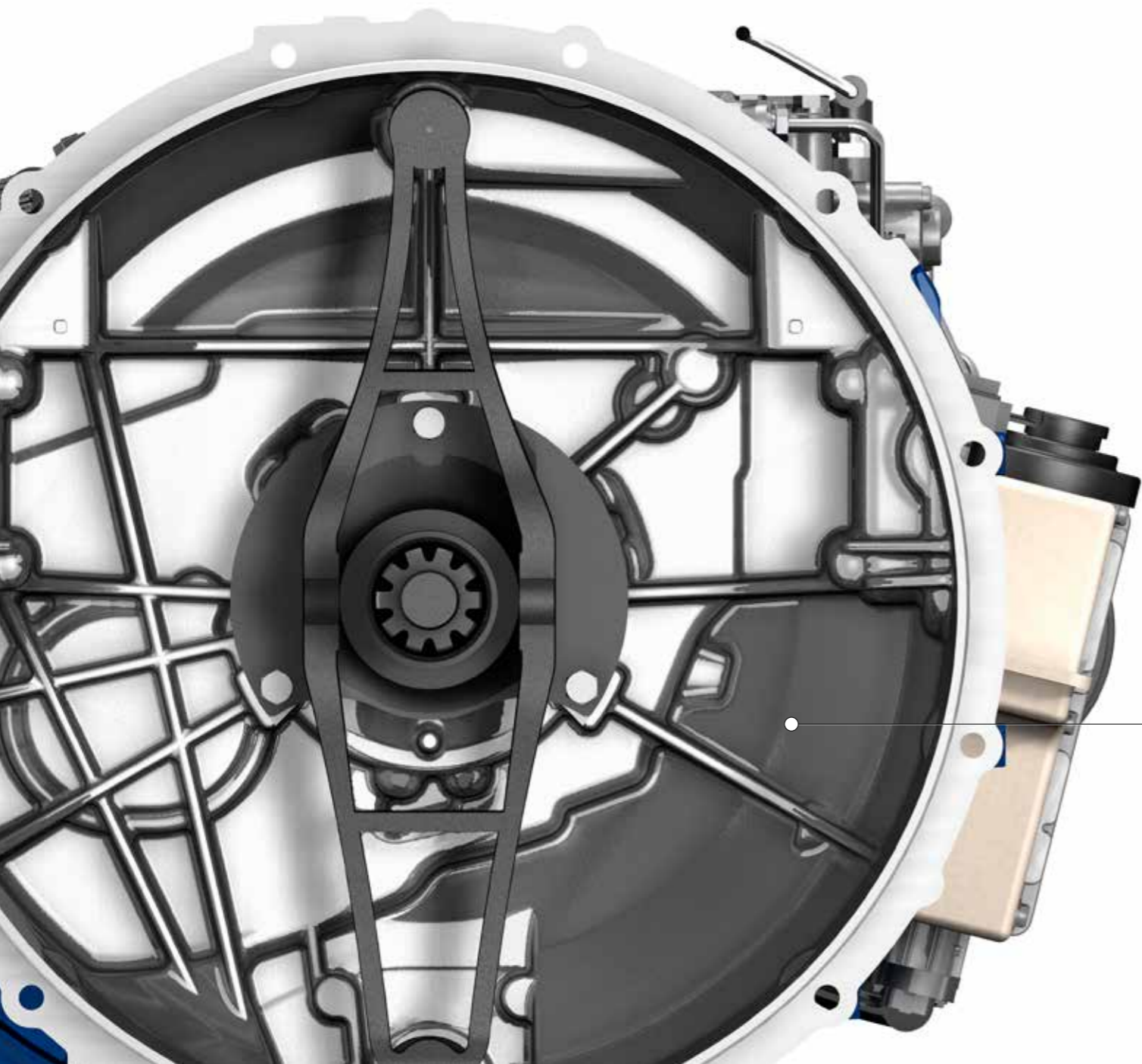
Visible identity in the dark.

The characteristic V-shaped LEDs will make sure your FL always presents itself as part of the Volvo family, as well as light your way on dark, night-time roads.



Finding the right inner-city gear.

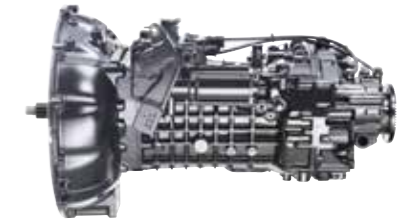
Choosing the right transmission can be tricky. All has to be taken into account – your assignments, your surroundings, your earlier training and even your personality. The Volvo FL offers a range of solutions that will make it possible to find the alternative that suits you the best.



I-Sync.
Combine excellent driver comfort and fuel efficiency with I-Sync. It offers 6 gears with automated gearshifting for easy operation.



Auto.
For applications where the assignments demand frequent starts and stops without interruption in power delivery, there is an automatic transmission. It offers maximum comfort for the driver.



Manual.
When opting for a manual shift transmission you have the option of six or nine speeds. The six-speed transmission is suited for inner-city driving while the nine-speed is adapted for applications with high demands on startability and performance.



PTO.
All transmissions offer several power take-off possibilities to provide power to extra attachments or machinery.



Disc brakes.
The Volvo FL has pneumatic brakes with lightweight discs both front and rear. The Electronically controlled Brake System (EBS) features anti-locking function and provides faster braking response and less brake wear.



EBS.
The Electronically controlled Brake System incorporates an anti-locking system and delivers fast braking response and reduced brake wear.

Focused driving with I-Sync.

I-Sync – Volvo’s smooth, intelligent transmission featuring automatic gearshifting – makes distribution operations even more comfortable. You can devote your attention to driving safely, concentrating fully on the intensive pace of the city’s traffic. The gearbox has 6 gears and the top gear has an overdrive ratio. All gears are synchronised and gear changing is made with a stalk behind the steering wheel with the aid of electrohydraulics. There is no clutch pedal. The I-Sync also helps lower fuel consumption.

The ideal transport solution. The perfect business partner.

The joy of driving. The pleasure of a job well done, delivering on time. Those should be your main concerns. Because why get frustrated with interest rates, unknown costs or unnecessary surprises, distracting you from your business? When you buy a Volvo FL there's a comprehensive range of solutions that make it possible for you to concentrate on the things that matter. And let us take care of the rest.



Tailored Service Contract Solutions.

The Volvo Service Contract goes a long way towards securing the necessary uptime for a profitable enterprise. Maintenance and repairs, pro-active planning, monitoring of critical parts and service of your vehicle only when absolutely required. A tailored service contract solution works together to safeguard your business productivity and offer you peace of mind. Choose between the Gold, Silver and Blue service contracts.



Dynafleet.

Dynafleet is a fleet management system that helps you with vehicle, driver and transport handling. The system gives you the necessary information, making it possible for you to have full control of your vehicles' location and status as well as provide you with advice on what areas could be improved. The fuel efficiency of individual drivers, driver hours, locations and arrival times – all are easily monitored. The Dynafleet system is also available as a convenient smartphone and tablet app.



Every drop counts.

Volvo Trucks' philosophy when it comes to sustainable fuel savings is a part of Volvo's holistic approach to optimal energy usage and minimised environmental impact. With relatively small measures, fuel consumption can be significantly lowered, sparing both the environment and the customer's wallet. The campaign encompasses driver training and technical innovations as well as accessories and services such as choice of equipment, vehicle maintenance, traffic planning systems and analysis. Small details, such as a correct wheel alignment and appropriate choice of tyres can lead to significant fuel savings.

Read more about Every drop counts on www.volvotrucks.com/everydropcounts



Fuel Advice.

In order to reduce the fuel consumption and provide you with effective tools to minimise your fuel costs, Volvo offers the Fuel Advice service that consists of personal fuel coaching, an easy-to-use toolbox and support. Thanks to Fuel Advice your saving potential could be as much as 5%, making a real positive impact on both your overall fuel economy and your environmental footprint.



Volvo Premium Lease.

The Volvo Premium Lease offers a trouble-free ownership, which allows you to concentrate fully on your core business. With a fixed, predictable monthly cost for financing, service and repair, as well as insurance, you'll experience minimal risk and disruption to your business. Furthermore you'll enjoy the advantage of accurate budgeting, improved cash flow and reduced capital outlay. With a Premium Lease, the truck is not shown as an asset on your balance sheet which preserves your credit for other engagements. A Volvo Premium Lease will help your business run even more smoothly and without effort.



Volvo insurance.

Volvo insurance offers a thoroughly flexible and comprehensive solution for outstanding insurance coverage. The solutions can, of course, be tailored to suit your individual business needs. The three basic types of insurance are:

Third part liability: covers you against damages to third parties caused by you.

Casco insurance: covers damages on your own equipment, non-related to third party, like fire, theft and vandalism.

Gap insurance: covers the gap between outstanding finance amounts and vehicle value in case of total loss. Gap is available for finance contracts with Volvo Financial Services.

The insurance is provided by your Volvo dealer, making your truck even easier to own, saving time, effort – and money.



Driver development.

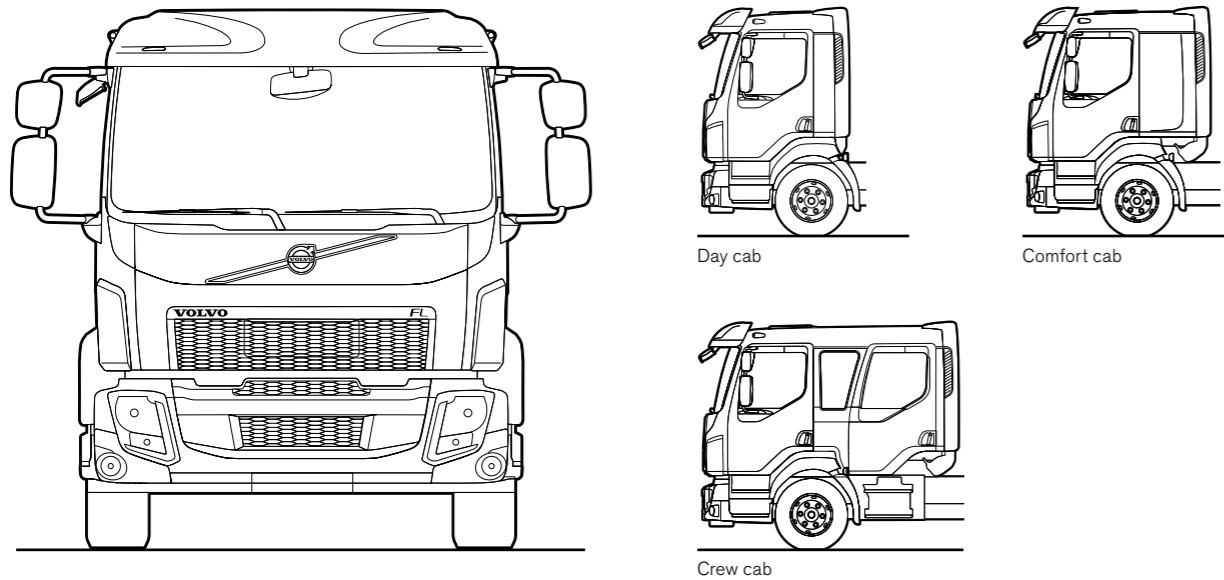
By taking part of the Volvo driver development, you hone skills and increase both awareness and knowledge of using your Volvo FL. Efficient driving will lead to reduced risks of accidents, increased overall safety, lower fuel consumption and increased productivity. By enrolling in driver development you can fulfil the certificate of professional competence (CPC) demands. And you'll always be able to get the most out of your investment, achieving big savings through small changes.

SPECIFICATIONS

Tailoring your Volvo FL.

This is just a hint of all the choices you have when tailoring your Volvo FL to your needs. The full specifications and all possible options are available at www.volvotrucks.com or at your Volvo dealer.

Cabs

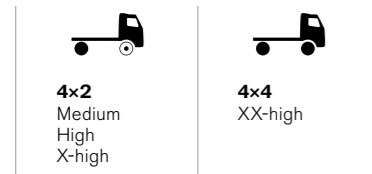


Day cab

Comfort cab

Crew cab

Rigid axle configurations



4x2
Medium
High
X-high

4x4
XX-high

● = Drive axle.
○ = Dead axle (tag, pusher or front axle).

Model combinations

Drive	Chassis height	Gross Vehicle Weight (tonnes)	Wheels (inches)	Engine
4x2	Low	10	17.5	D5K
4x2	Low	12	17.5	D5K
4x2 RS*	Low	12	17.5	D5K
4x2	Medium	12	19.5	D8K
4x2	Medium	14	19.5	D8K
4x2	Medium	14	19.5	D5K
4x2	Medium	14	22.5	D5K
4x2	Medium	14	22.5	D8K
4x2	Medium	16	19.5	D5K
4x2	Medium	14	22.5	D5K
4x2	Medium	16	19.5	D8K
4x2	Medium	16	22.5	D8K
4x2 RS*	Medium	16	19.5	D8K
4x2	High	12	22.5	D8K
4x2	High	14	22.5	D8K
4x2	High	16	22.5	D8K
4x2	X-High	18	22.5	D8K
4x4	XX-high	12	22.5	D8K
4x4	XX-high	14	22.5	D8K
4x4	XX-high	16	22.5	D8K

* RS = Road sweeper

Engines

DIESEL AND HVO	Max power	Max torque
D5K210 (154 kW)	210 hp at 2,200 r/min	800 Nm at 1,100–1,700 r/min
D5K240 (177 kW)	240 hp at 2,200 r/min	900 Nm at 1,200–1,600 r/min
D8K250 (184 kW)	250 hp at 2,100 r/min	950 Nm at 900–1,700 r/min
D8K280 (206 kW)	280 hp at 2,100 r/min	1,050 Nm at 950–1,700 r/min

Gearboxes

AUTOMATED GEARBOXES

The I-Sync can be set for manual or automatic gearchanging. In manual mode, the steering column lever is used. All the gearboxes can be specified with a power take-off.

Type	Number of gears	Max torque (Nm)	GCW approval (tonnes)
ATO1056	6	1,050	32

MANUAL GEARBOXES

The manual gearboxes are operated with servo assistance. The short gear lever, which is integrated into the instrument panel, is vibration-free and gear lever movement is short and crisp. The gearboxes can be specified with a power take-off.

Type	Number of gears	Max torque (Nm)	GCW approval (tonnes)
ZTO1006	6	1,050	32
ZTO1109	9	1,200	36
STO8006	6	850	19

AUTOMATIC GEARBOX

The automatic transmission presents excellent starting properties and smooth gear changes that cover the entire speed range. The gearbox is operated via push buttons in the instrument panel. It can be specified with power take-off.

Type	Number of gears	Max torque (Nm)	GCW approval (tonnes)
AL306	6	1,500	32

Here's a small selection of specifications – but there are more to choose from. Ask your Volvo dealer or visit www.volvotrucks.com to learn more.

ACCESSORIES

Make it your truck.

The Volvo FL is one of the most well equipped trucks in the world. But to tailor it for your particular transport assignments and for your personal needs, there's also a wide range of accessories to choose from. It's all about making the truck more efficient for the work you do. And don't forget that they are all developed and tested by Volvo Trucks for Volvo trucks to make sure they all bring what you expect from a Volvo product. Hey, we've even crash tested the coffee maker!

Here's a small selection of accessories – but there are tonnes more to choose from. Ask your Volvo dealer or visit www.volvotrucks.com to learn more about accessories.



Seat covers



Battery reconditioner



Biodiesel Retrofit Kit



Fire extinguisher



Battery charger



Audio package



Passenger bench, luxury



Plastic wheel cover



Rubber mat

Some of the equipment shown or mentioned may only be available as options or accessories and may vary from one country to another in accordance with local legislation. Your Volvo dealer will be happy to provide you with more detailed information. Colours may vary somewhat owing to the limitations of the printing process. We reserve the right to alter product specifications without prior notification.

VOLVO

Volvo Truck Corporation
volvotrucks.com